



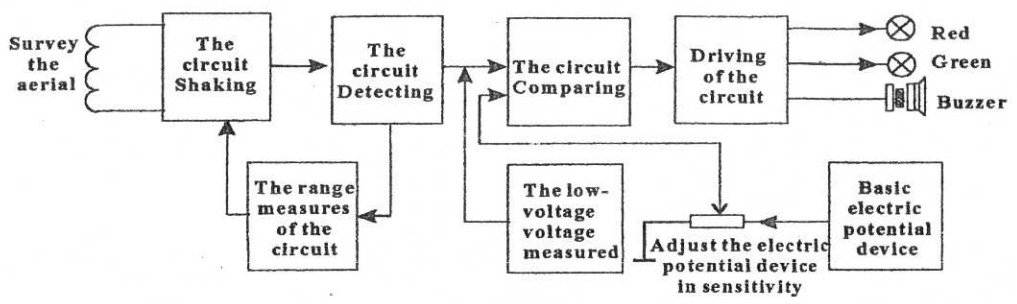
# Operation instructions

## CT-900 Metal detector

### summarize

CT-900 metal detector utilizes the principle of magnetisable material to interfere the electromagnetic wave to design out. Handicraft detector circuit through treatment to electric wave, give out sounds of optical signal, thus can achieve the goal of surveying the magnetic metal. CT- 900 metal detector have the characteristic of operating simple, small, convenient to carry, Circuit merit such as being reliable, suitable for and construct homework, safety inspection especially, Uses, such as scientific research,etc..

### The circuit principle block-diagram



### Appearance introduction

see picture 1

### operate

1. press the switch button (have the on green light).
2. put the survey ring close to object that examine object.
3. hear the buzzer while it is ringing (green light off, red light on) , show that there is metal material have been survey out.

Note: The metal object surveyed must lead the metal thing of magnetic , for instance metal chemical compound of the iron,etc..

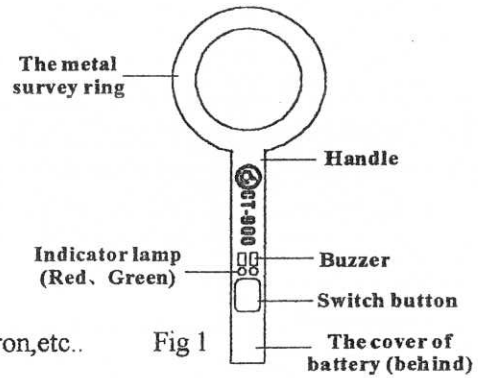


Fig 1

### Precautions

1. detector in the course of using,it is with examining thing must for relative motion. If both sides static, can't go on and survey. For example: Put one piton into and survey ring move, no longer sounds after the loud 2-3 seconds such as detector.
2. the sensitivity of detector has been adjusted at moderate position from the being dispatch from the factory, if you need higher sensitivity or lower sensitivity, Must finely tune" sensitivity adjust electric potential device" again. The job must be finished by factory, customer can't oneself adjust, otherwise might cause the bad consequence .
3. it is some time later since battery has been used, the electric consumptions of battery, while dropping to certain extent( lower than 7 V of 9 V power), As the switch closes After shutting, buzzer can sound constantly for a long time (red light bright) , show that needs to change the battery.

### Change the battery

Please twist with screwdriver toward side left" +" style of plastics nail (see picture 2), withdraw from bottom stamp, can change the battery . After changing the battery ,cover the bottom cover, according to have " +" word can nail. (do not rotate)

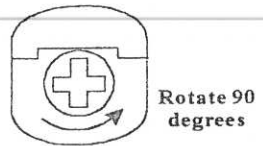


Fig 2.