

170.174

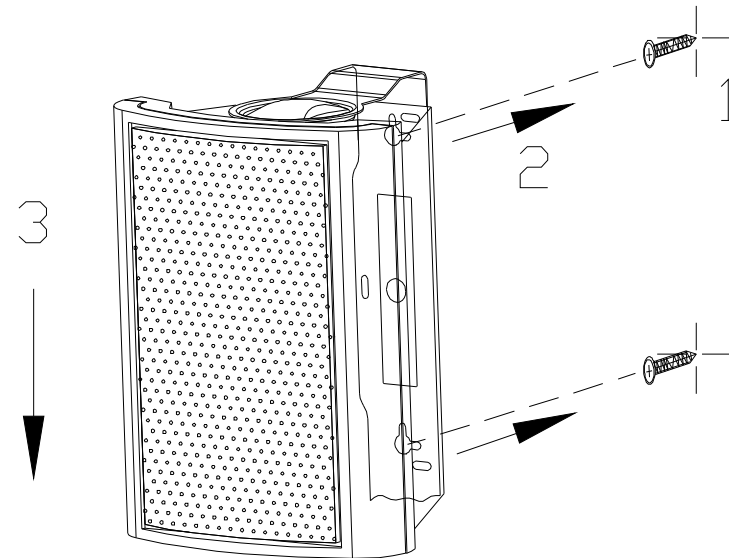
SAFETY INFORMATION

- ◆ Read all documentation before operating your equipment. Retain all documentation for future reference.
- ◆ Save the carton and packing material even if the equipment has arrived in good condition.
- ◆ Do not spill water or other liquids into the unit.
- ◆ Make sure power outlets conform to the power requirements listed on the back of the unit.
- ◆ Do not use the unit if the electrical power cord is frayed or broken.
- ◆ Always operate the unit with the AC ground wire connected to the electrical system ground.
- ◆ Have gain controls on amplifiers or consoles to any other voltage source, such as a battery, mains source, or power supply, regardless of whether the amplifier or console is turn on or off.
- ◆ Power down & disconnect units from mains voltage before making connections.
- ◆ Do not use the unit near stoves, heat registers, radiators, or other heat producing devices.
- ◆ Do not block fan intake or exhaust ports. Do not operate equipment on a surface or in an environment which may distort the normal flow of air around the unit. If the unit is used in an extremely dusty or smoky environment, the unit should be periodically “blown free” of dust.
- ◆ Do not remove the cover. Removing the cover will expose you to potentially dangerous voltages.
- ◆ Do not drive the inputs with a signal level greater than required to drive equipment to full output.
- ◆ Do not run the output of any amplifier back into another input.
- ◆ Do not ground the red output terminal, never connect a red output terminal to

another red output terminal.

- ◆ In case of mal-function this device should be serviced by qualified service personnel only.

TECHNICAL SPECIFICATIONS	
Speaker	Impedance:8Ohms
Rated power:30Wrms	Frequency-range:60Hz~20KHz
Power [Max]:60W	Amplifier
Bass speaker:5"	Power output:25Wrms
Speakers:1 tweeter	Frequency-range:20Hz~20KHz
Connections: 2-pole terminal	Equalization:2 bands EQ ±10 dB
Max.SPL:89 dB	Gain:30dB(max)
Dimension [H×W×D]:240×180×155mm	



The 170.174 Powered loudspeaker set is a very compact, easy to use, plug and play, music distribution system. It consists of one amplified loudspeaker with a 5 " woofer and a quality high frequency speaker and a second linkable passive loudspeaker.

1. VOLUME CONTROL

With this button you can easily set the desired volume.

2. TREBLE CONTROL

Herewith you can add or decrease the high frequency. Adding high frequency can improve the intelligibility. Adjust it to the desired level. In the center position the sound should be neutral.

3. BASS CONTROL

By adding bass you can add warmth to your music. Decreasing bass can improve the intelligibility of spoken messages.

4. ON/OFF

When the AC plug is connected to the mains circuit, you can turn the unit on or off with this button. When the unit is switched ON, the green led should illuminate.

5. INPUT

Here you can connect your sound source. These inputs have to be fed with a music signal at LINE LEVEL(cd, dve, vhs, tuner, mixing table.....). Connecting a microphone will give bad result. In this case, you should use a microphone mixer or preamplifier.

6. SPEAKER OUTPUT

These lockable plugs should be used to free the shipped passive loudspeaker. Using other loudspeakers can give bad result and even cause damage to the main NC unit. The best sonic result will be obtained when the black socket of the main unit is connected to the black one of the passive loudspeaker and the red to the red.

7. MANIS SOCKET

The unit can be branched to the mains circuit by a standard IEC type power cord. This socket contains a 1A slow blow fuse. Use a screw driver to flip out the fuse compartment and to replace it. When this fuse blows frequently you should bring the NC to a qualified service center. First check whether you didn't use a quick-blow fuse!

