

1 in x 4 out Distribution Amplifier

Model : SB-1104

1x4 VGA DA



Input : VGA (RGBHV), HD-15Pin Connector

Output: VGA (RGBHV), HD-15Pin Connector

Power Input : +DC12V ,@300~500mA

Safety Notice!

To prevent damage to your television equipment use only the supplied AC Adaptor and make the power connections to your television.

Instruction Manual

SHINYBOW™

Professional

RGBHV

1 input x 4 outputs

VGA Distribution Amplifier

High Resolution 2048 x 2048



Model : SB-1104

High Resolution

2048 x 2048

VGA RGBHV Distribution Amplifiers Series

Thank you for purchasing the SB-1104G VGA (RGBHV) distribution amplifier. You will find this unit easy to install and highly reliable but it is essential that you read this manual thoroughly before attempting to use Amplifier.

Part No.: SB-1104G-1X4VGA

Introduction

Congratulations on your purchase of one of the most innovative VGA Signal distribution product on the market today. For SB-1104 with 4 outputs VGAs. This product provide multiple VGA outputs that are identical to the source signal. He is useful for distributing signals from High Resolution quality VGA 2048x2048 computer to 8 sets PC monitors.

Before you make any connections

Make sure the computer to be connected to the Monitors distribution amplifier are functioning according to their respective operation manuals before connecting them. Always connect the PC to the VGA Monitors distribution amplifier one at a time and make sure each works just as it did before it was connected.

Supplied Accessories

Check that you have the following components in your converter pack :

- (1) 1 Instruction Manual
- (2) 1 SB-1104G Amplifier
- (3) 1 AC Adaptor : 12VDC, @300~500mA

AC/DC Adaptor Types : CE/UL/SAA/BS



UK BS/CE Europe CE Middle Asia Austria SAA

SPECIFICATION:

Model Number	SB-1104
Input/output	1 input to 4 outputs Distribution Amplifier
Type of Signals	VGA (RGBHV)
Input	1 x VGA * RGBHV
Output	4 x VGA * RGBHV
VGA Resolution	2048 x 2048
Video Bandwidth	>1GHz
Video Distortion	<0.2db (Standard +/- 3db)
In/Out Terminal	HD-15pin female connectors.
Enclosure type	Metal Rack mountable
Power Consumed	150mA Maximum
Power Source	DC 12 Volts, @300mA~500mA
Size (L,W,H)	236mmx110mmx25mm
Net Weight (Unit only)	1.50 lbs. (0.80kg) Approx.

Typical Hookup and Operation

SB-1104G

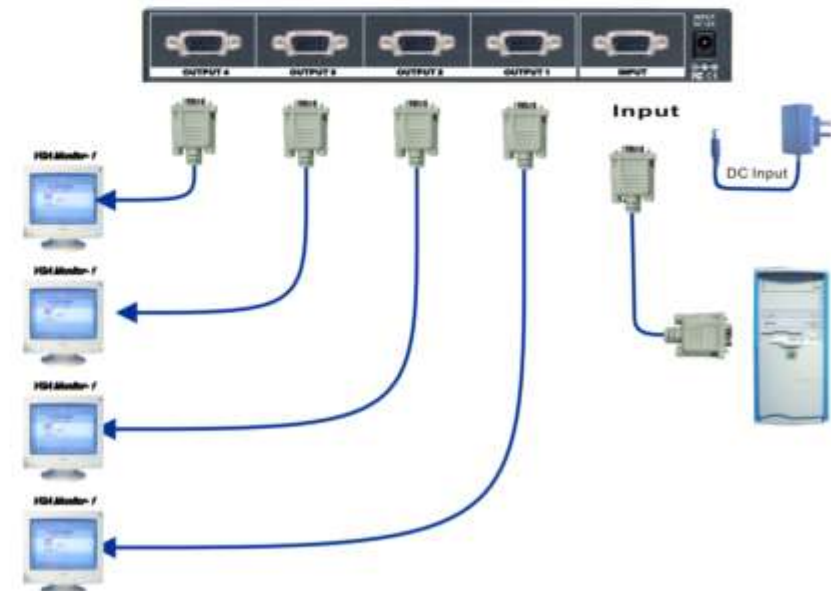


Safeguards and Precautions

- A. Keep this unit away from fire, extremely hot areas, water or moisture of any Kind.
- B. Do not place this unit on any support that is not firm, level and strong.
- C. Do not service the unit yourself. Opening the unit's housing will void the warranty.
- D. Servicing must be by Shinybow or by an authorized technician.
- E. Illegal duplication of copyrighted material is strictly prohibited by Federal Laws.

VGA 1 To 4 Distribution Amplifier

APPLICATION S: 2048x2048 high resolution Monitors



Congratulations! The Distribution Amplifier is now ready for use. Switch on your computer and monitors enjoy high quality color.