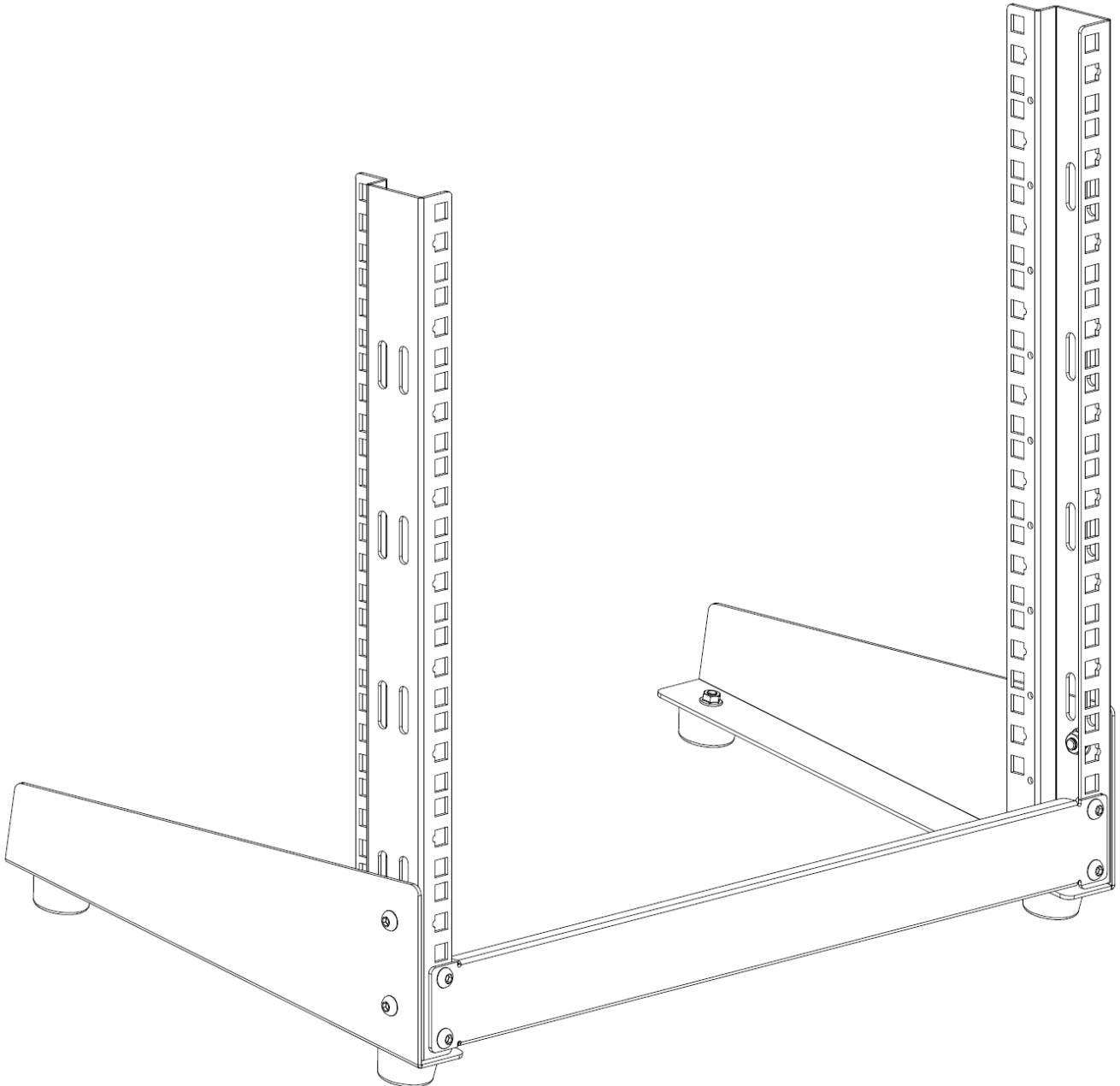
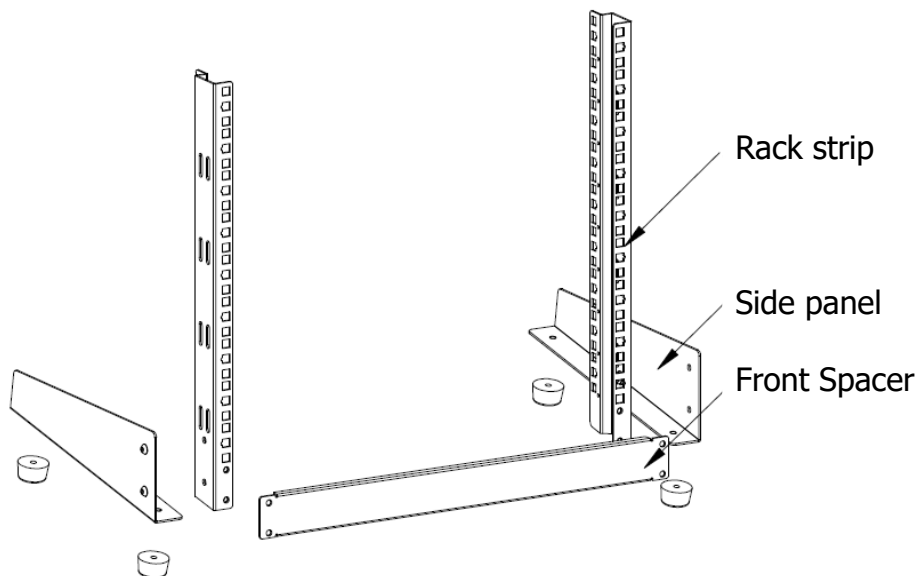


Desktop Rack Stand Assembly Guide





Hardware

- 8 x M6x12 screw
- 8 x M6 nut
- 4 x M5x14 screw
- 4 x M5 nut
- 4 x rubber feet

Assembly Steps

