

NU1

Dual UHF Wireless System

Item ref: 171.981UK, 171.982UK, 171.983UK, 171.984UK

User Manual



Version 2.1



Caution: Please read this manual carefully before operating
Damage caused by misuse is not covered by the warranty

Introduction

Thank you for choosing the Chord NU1 wireless system. This professional wireless set provides a high quality UHF radio microphone system for freedom of movement without loss of audio quality. Please read this manual before using this equipment in order to avoid damage through incorrect operation and to get the best performance from your purchase.

Package Contents

- NU1 UHF wireless receiver
- 19" rack ears
- 1 x UHF aerial
- 1 x BNC antenna cable (for front panel mounting)
- 1 x transmitter (NU1-H handheld or NU1-N bodypack)
- 1 x neckband and 1 x lavalier microphones (NU1-N only)
- Mains power adapter
- 6.3mm mono jack lead
- 2 x 1.5V AA battery

If you find any accessory is missing or the product has arrived with any problems, contact your retailer.

These products contain no user-serviceable parts inside. Do not attempt to try to fix or modify these items yourself as this will invalidate the warranty. We recommend you keep the original package and proof of purchase for any possible replacement or returned demand.

Warning

To prevent the risk of fire or electric shock, do not expose any of the components to rain or moisture. If liquids are spilled on any component, stop using immediately, allow unit to dry out and have checked by qualified personnel before further use. Avoid impact or heavy vibration to any of the components, dropping the microphone can cause capsule failure. No user serviceable parts inside transmitter or receiver - refer servicing to qualified service personnel.

Safety

- Ensure that the correct power adaptor is used with adequate current rating (350mA minimum) and that the mains voltage is as stated on the adapter.
- Avoid ingress of water or particles into the transmitters or receiver
- Use alkaline or NiMH batteries in the transmitters and remove if unused for long periods.
- Observe the correct polarity when replacing batteries

Placement

- Keep all components out of direct sunlight and away from heat sources.
- Do not place heavy objects on top of the receiver or transmitters
- If rack-mounting, use rack ears provided and do not place heavy equipment above the receiver.
- Keep the transmitters and receiver away from damp or dusty environments.

Cleaning

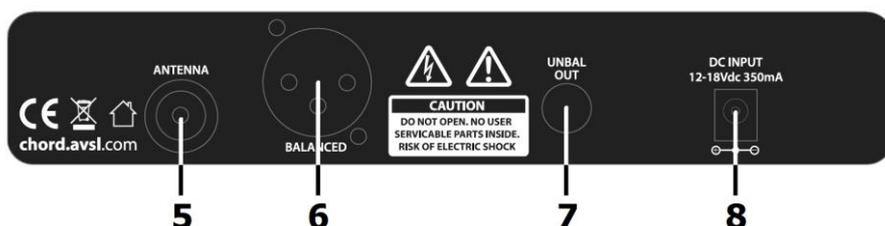
- Use a soft cloth with a neutral detergent to clean the body of the handheld transmitter and receiver.
- Lightly damp sterile wipes may be used on the microphone grille for hygiene purposes
- To avoid damage, do not use solvents to clean the components

Receiver Front Panel



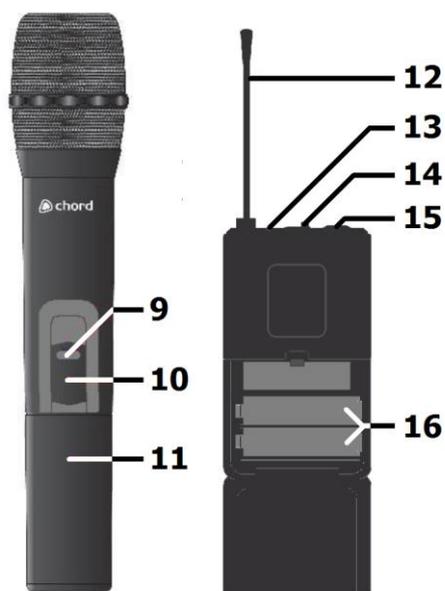
1. RF carrier signal indicator
2. AF audio signal indicator
3. VOLUME control
4. Power on/off switch

Receiver Rear Panel



5. BNC antenna connector
6. Balanced XLRM output
7. Unbalanced 6.3mm jack output
8. DC power input jack

Transmitters



9. On indicator (handheld)
10. On/off switch (handheld)
11. Battery compartment (handheld)
12. Antenna
13. On indicator (bodypack)
14. On/off switch (bodypack)
15. 3.5mm threaded jack socket
16. Battery compartment (bodypack)

Note: If replacement transmitters are required, these must be genuine Chord branded transmitters which transmit the correct pilot tone to match with the receiver. Transmitters which have the same carrier frequency but not the correct pilot tone will not work with NU-series receivers.

Setting Up

Insert the supplied AA batteries into the handheld transmitter by carefully unscrewing the base to reveal the battery compartment inside the microphone body, connect the batteries (ensure + and - are the correct way round for each cell) and carefully screw the base back on. For bodypack transmitters, squeeze and flip forward the front cover to reveal the battery compartment and insert AA batteries, observing correct polarity. Connect the 3.5mm jack connector from the neckband or lavalier microphone to the input on top of the bodypack transmitter and rotate to secure the thread.

Position the receiver within the best available line of sight to the transmitter and connect the DC jack of the supplied power adapter to the receiver and the plug-top to the mains outlet. Connect the aerial to the BNC connector on the rear panel or alternatively, attach to the rack ear, connecting via the BNC extension lead supplied. Turn mic level down on the receiver.

A choice of unbalanced 6.3mm jack or balanced XLR output is available on the rear panel of the receiver. Connect a jack or XLR (optional) lead to the relative output connector, turn down the volume of any equipment (mixer, amplifier etc.) that the signal will be fed into and then connect the jack or XLR to the equipment.

Warning! - take care not to point the microphone towards speakers – this can cause damaging feedback (loud whistle or howling noise) – try to aim the microphone away from the speakers.

Operation

Switch on power to the receiver unit.

Move the switch on the handheld transmitter to the fully up position (ON) and gradually increase the microphone level on the receiver (for bodypack transmitters, move the top slide switch to "ON"), then increase the volume on the mixer or amplifier until the sound from each microphone can be heard through the equipment.

After use, slide the transmitter switch to the "OFF" position, which mutes and deactivates the radio signal and powers down the transmitter. Turn down the volume of the mixer or amp and then switch off the receiver.

Please note that the transmitter slide switch has a "MUTE" centre position, which is not used with the NU-series system. Switching the transmitter off automatically mutes the reception channel.

Unplug signal leads from the receiver and mixer or amplifier when moving or packing away.

If the system is not to be used for long periods of time, remove the batteries from the transmitters and unplug the power adapter from the receiver and the mains outlet.

Folding away or removing the antenna can also help avoid damage when the system is not in use.

Specifications

Power supply (receiver)	12 - 18Vdc 350mA adaptor (supplied)
Batteries (transmitters)	2 x AA (included)
Carrier frequency (171.981UK, 171.983UK)	863.1MHz
Carrier frequency (171.982UK, 171.984UK)	864.1MHz
RF power	10mW
Stability	10PPM
S/N ratio	>105dB
THD	<0.5% @ 1kHz
Image rejection	>85dB
Range	60m (max)
Output impedance	2.2kΩ
Output level	400mv (balanced), 200mv (unbalanced)
Connectors	DC in, XLRM, 6.3mm jack
Dimensions - handheld transmitter	243 x 48mmØ
Dimensions - bodypack transmitter	205 x 68 x 25mm
Dimensions - receiver	198 x 190 x 44mm
Weight - handheld transmitter	238g (no battery)
Weight - bodypack transmitter	76g (no battery)
Weight - receiver	710g

Troubleshooting

"POWER" LED does not light on receiver	Ensure power adapter is connected to mains and working properly
	Ensure receiver is switched on
"POWER" LED is lit but no "RF" or "AF" LEDs	Ensure transmitter is switched on
	Check that transmitter is not out of reception range
	Check that transmitter batteries are good/charged
"POWER" and "RF" LEDs are lit but no "AF" and no sound	Check that transmitter switch is switched on
	Ensure transmitter has good/charged batteries
	Ensure there is no other nearby transmitter with the same frequency
All LEDs lit but no sound from mic	Make sure receiver is connected to mixer/amplifier
	Ensure that receiver and amplifier/mixer channel volumes are turned up
Microphone output is very loud or distorted	Turn down VOLUME on receiver
	Reduce gain on mixer/amplifier
	Ensure that an XLR output is not fed to a line input
Microphone output is very low	Turn up VOLUME on receiver
	Increase gain of mixer/amplifier input
	Ensure that a jack output is not fed to a mic input
	Check transmitter batteries



Disposal: The "Crossed Wheelie Bin" symbol on the product means that the product is classed as Electrical or Electronic equipment and should not be disposed with other household or commercial waste at the end of its useful life. The goods must be disposed of according to your local council guidelines

Hereby, AVSL Group Ltd. declares that the radio equipment type 171.981UK, 171.982UK, 171.983UK and 171.984UK are in compliance with [Directive 2014/53/EU](#)

The full text of the EU declaration of conformity for 171.981UK is available at the following internet address: <http://www.avsl.com/assets/exportdoc/1/7/171981UK%20CE.pdf>

The full text of the EU declaration of conformity for 171.982UK is available at the following internet address: <http://www.avsl.com/assets/exportdoc/1/7/171982UK%20CE.pdf>

The full text of the EU declaration of conformity for 171.983UK is available at the following internet address: <http://www.avsl.com/assets/exportdoc/1/7/171983UK%20CE.pdf>

The full text of the EU declaration of conformity for 171.984UK is available at the following internet address: <http://www.avsl.com/assets/exportdoc/1/7/171984UK%20CE.pdf>

Errors and omissions excepted. Copyright© 2021.

AVSL Group Ltd. Unit 2-4 Bridgewater Park, Taylor Rd. Manchester. M41 7JQ

AVSL (EUROPE) Ltd, Unit 3D North Point House, North Point Business Park, New Mallow Road, Cork, Ireland.