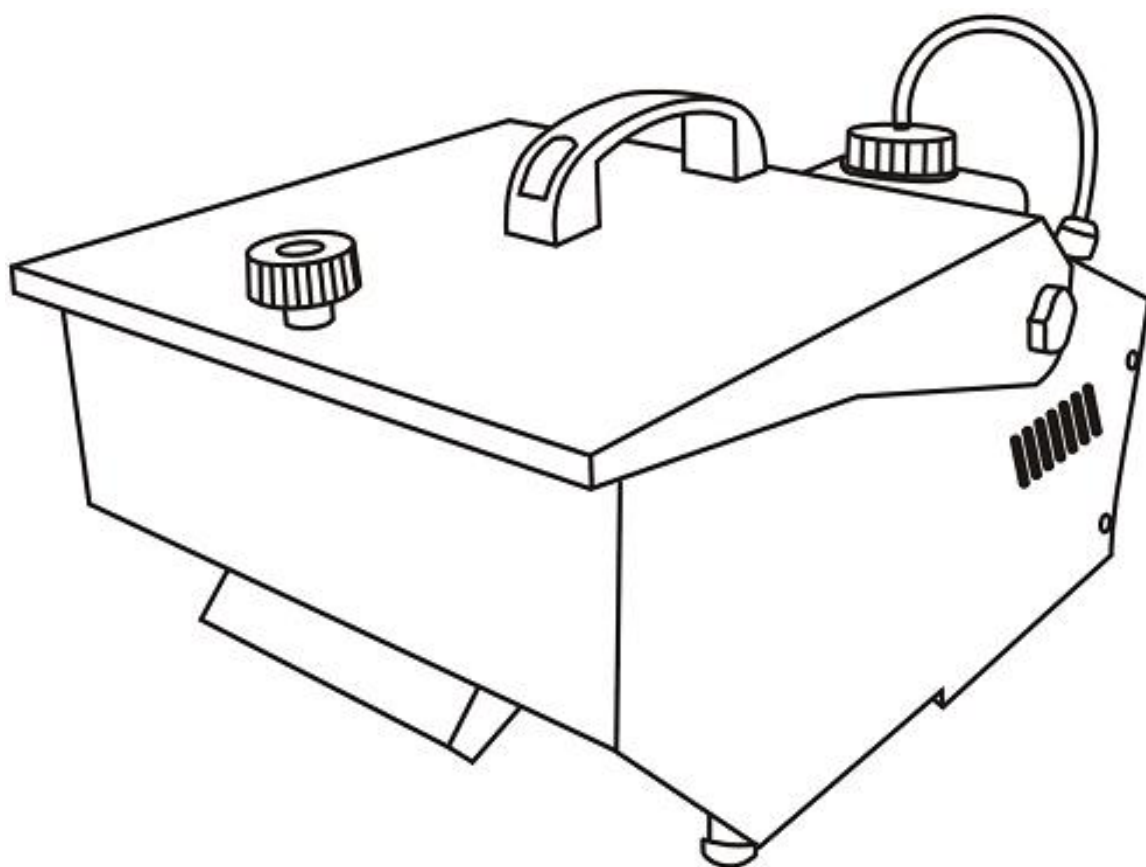


## QTFX-LF900

Low Level Fog Machine

Item ref: 160.447UK

User Manual



**Caution:** Please read this manual carefully before operating  
Damage caused by misuse is not covered by the warranty

## Introduction

Thank you for choosing the QTFX-LF900 low level fog machine as part of your stage effects setup. This machine is designed to emulate low lying dry ice effects using cooled fog fluid. Please read and keep this manual to ensure maximum performance and avoid damage through misuse.

## Unpacking

Your QTFX-LF900 should reach you in good condition and should be supplied with IEC mains lead(s) and a wired handheld remote control. If there are any signs of damage or items missing from the packaging, contact your dealer immediately.

## Warning

To prevent risk of fire or electric shock, do not expose electrical parts to rain or moisture. If liquids are spilled on the housing or through the vents, disconnect the mains, allow the QTFX-LF900 to dry out and have it checked by qualified personnel before further use. Avoid any impact, dropping or extreme pressure to the housing. No user serviceable parts inside - do not open the case (other than to access the ice reservoir) Refer all servicing to qualified service personnel.

## Placement

The QTFX-LF900 has an ice reservoir and fluid tank, so should be operated in the upright position only. Choose a position where the fog output nozzle is not obstructed and is facing the general area to be filled. Ensure easy access to the rear panel, fluid tank and ice reservoir

## Safety

- Check for correct mains voltage and condition of IEC lead before connecting to power outlet
- Check the condition of the remote lead and ensure that it is not trapped
- This unit must be earthed

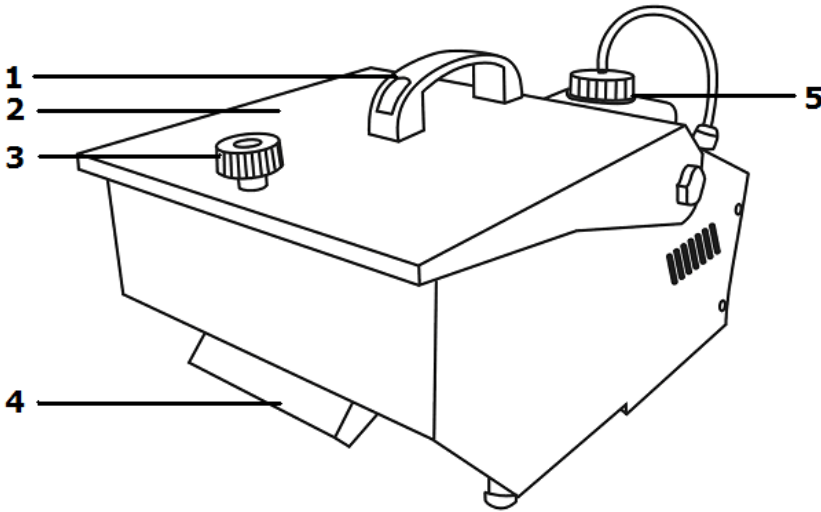
## Cleaning

- Use a soft dry or slightly damp cloth to clean the casing
- Do not use strong solvents for cleaning the unit
- It is recommended to use fog machine cleaning fluid (160.670UK) periodically

## Setting up

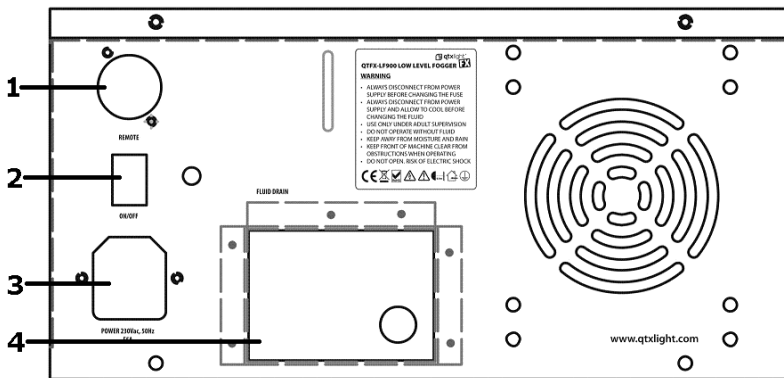
The QTFX-LF900 requires fog fluid and ice (water ice) to produce the effect. It is recommended to use qtx low level fog fluid for best results (160.592UK, 160.593UK) This fluid is specially formulated to achieve a dense, low lying fog effect. A chart for recommended fog fluids is included further along in this document. Unscrew the top cap of the tank and fill with the recommended smoke fluid. Screw the cap securely ensuring the pipe is fed down to the bottom of the bottle so a consistent flow of fluid is supplied to the machine. Unscrew the safety screw on top panel to open and fill the reservoir with no more than 5kg of ice. Close the top panel and secure the safety screw. Connect the remote control via the 5-pin connector on the rear panel. Connect the IEC mains plug, ensuring correct supply voltage.

## Layout



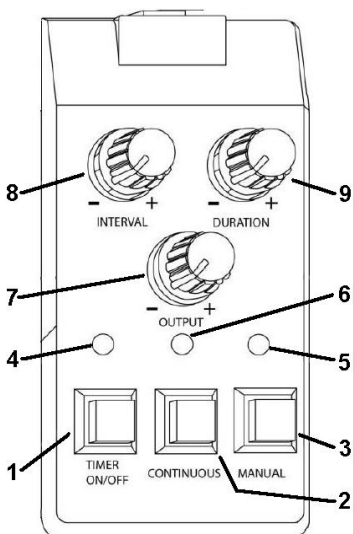
1. Carry Handle
  2. Top panel lifts up for loading the ice
  3. Safety screw to secure top panel
  4. Fog output nozzle
  5. Fluid bottle
- (Note: the fluid bottle cannot be removed)

## Rear panel



1. Remote control connection
2. Power ON/OFF
3. IEC mains inlet and fuse holder
4. Fluid drain tap

## Remote control / timer control



1. Timer on/off button
2. Continuous output
3. Manual override button
4. Timer LED indicator (Illuminated when timer active)
5. Manual ready indicator
6. Continuous LED indicator (Illuminated when continuous active)
7. Adjust the amount of fog is released (0 – 100%)

**NOTE:** The below controls are only used in timer mode

8. Adjust the interval gap between each release of Fog (between 0 – 30 Min approximately)
9. Adjust the duration the Fog is released at each interval (between 0 – 15 seconds approximately)

## Operation

Switch on the power switch on the rear panel.

Heat up time is usually around 4 minutes. Please ensure no button is pressed during the heat up time.

When the machine is ready the LED light on the remote control will illuminate

Press the Manual Override button on the remote control for 5 seconds so the fluid has a chance to flow through the heater block making it ready to use.

After this you will be able to use the machine. It is recommended to produce smoke with small pauses in between so that the temperature is maintained and the thermostat doesn't switch off.

After use, drain the melted ice using the fluid drain tap on the rear panel.

## Remote control

Manual override switch on the remote control is a non-latching "fog on demand" switch.

Continuous switch is latching and produces constant fog as long as the heater is up to temperature.

Timer control can be set to various intervals and burst lengths to give consistent output over a period of time

## Replacing the fuse

Disconnect from the main power supply first, then remove the fuse holder part of the IEC socket to reveal the fuse. Replace the correct fuse rating as stated on the panel. Lock the fuse holder cover back into place.

## General maintenance

To maintain optimum performance and minimize wear, the item should be cleaned frequently. Usage and environment are contributing factors in determining frequency. As a general rule, fixtures should be cleaned after each use to avoid dust build-up and blockages, which can result in poor performances, overheating and breakages. Be sure to disconnect the mains before conducting maintenance.

Clean the external case when the fixture is cold with a dry cloth or tissue.

It is recommended to use fog machine cleaning fluid (160.670UK) periodically.

## Specifications

Power supply	230Vac, 50Hz
Power	900W
Reheat time	4 min (approx.)
Fog output (approx.)	4000 Cu Ft (113m <sup>3</sup> ) / min
Tank capacity	0.8l
Ice reservoir	5kg
Remote cable length	4.5m
Dimensions	450 x 310 x 260mm
Weight	7.5kg



This product is classed as Electrical or Electronic equipment and should not be disposed with other household or commercial waste at the end of its useful life. The goods must be disposed of according to your local council guidelines

### Errors and omissions excepted.

Copyright© 2021 AVSL Group Ltd, Unit 2 Bridgewater Park,  
Taylor Road, Trafford Park, Manchester. M41 7JQ.

AVSL (Europe) Ltd, Unit 3D North Point House,  
North Point Bus. Park, New Mallow Road, Cork, Ireland.

# Effects Fluid Chart

								
<b>Bubble Fluid</b>								
<b>Stock Code</b>	<b>Volume</b>	<b>Description</b>	<b>Results</b>			<b>For use with</b>		
160.574UK	1 Litre	Bubble fluid	Light, long-lasting bubbles			160.462UK, 160.560UK		
160.575UK	5 Litre					160.562UK, 160.563UK		
160.576UK	1 Litre	UV bubble fluid	Light bubbles which glow in UV light			160.564UK		
160.577UK	5 Litre							
<b>Snow Fluid</b>								
<b>Stock Code</b>	<b>Volume</b>	<b>Description</b>	<b>Results</b>			<b>For use with</b>		
160.578UK	1 Litre	Snow fluid	High quality snow fluid. Lasts 30% longer than other standard fluids			160.565UK, 160.569UK		
160.579UK	5 Litre							
<b>Fog Fluid</b>								
<b>Stock Code</b>	<b>Volume</b>	<b>Description</b>	<b>Colour</b>	<b>Results</b>		<b>For use with</b>		
160.643UK	1 Litre	Standard fog fluid	Yellow	<b>Dispersion</b>	<b>Density</b>	<b>Stability</b>	<b>Fog colour</b>	
160.582UK	5 Litre			Quick	Light	Low	White	
160.587UK	1 Litre	High grade fog fluid	Orange	Slow	Medium	Good	White	
160.588UK	5 Litre							
160.644UK	1 Litre	High quality fog fluid	Pink	Slow	High	Good	Thick white	
160.583UK	5 Litre							
160.589UK	5 Litre	Premium fog fluid	Clear	Slow	Very high	Excellent	Opaque White	
160.592UK	1 Litre	Low level fog fluid	Clear	Slow	Highest	Excellent	Opaque White	
160.593UK	5 Litre							
160.670UK	20ml	Fog machine cleaner	Clear	Extends life of your fog machine				All fog machines
<b>Haze</b>								
<b>Stock Code</b>	<b>Volume</b>	<b>Description</b>	<b>Colour</b>	<b>Results</b>		<b>For use with</b>		
160.590UK	1 Litre	High quality haze fluid	Clear	<b>Dispersion</b>	<b>Density</b>	<b>Stability</b>	<b>Haze colour</b>	
160.591UK	5 Litre			Slow	High	Good	Thick white	